

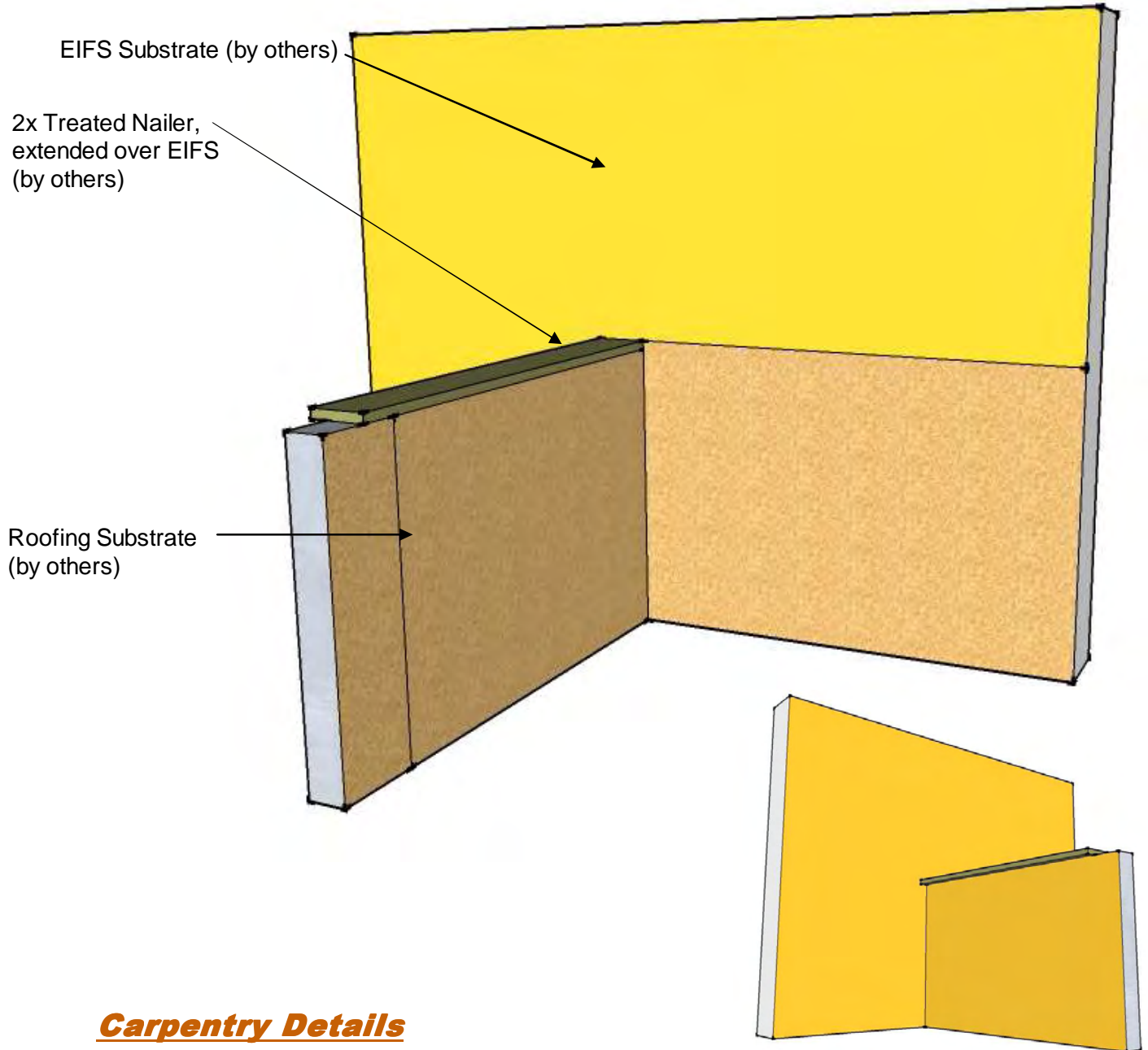


# Master Wall Systems

*Conceptual Details*

*Corporate • P.O. Box 397 • Fortson • Georgia • 31808 • 800-755-0825 • FAX 706-569-6704  
Technical • 800-760-2861*

## Rollershield Drainage System



## Carpentry Details

These drawings relay the conceptual conditions of Master Wall Systems and are not the construction drawings. Ultimately the design and detailing of an entire wall system is the responsibility of a professional. These details will guide the design professional in the use of Master Wall Products. Master Wall disclaims design, warranty or construction intent or responsibility.

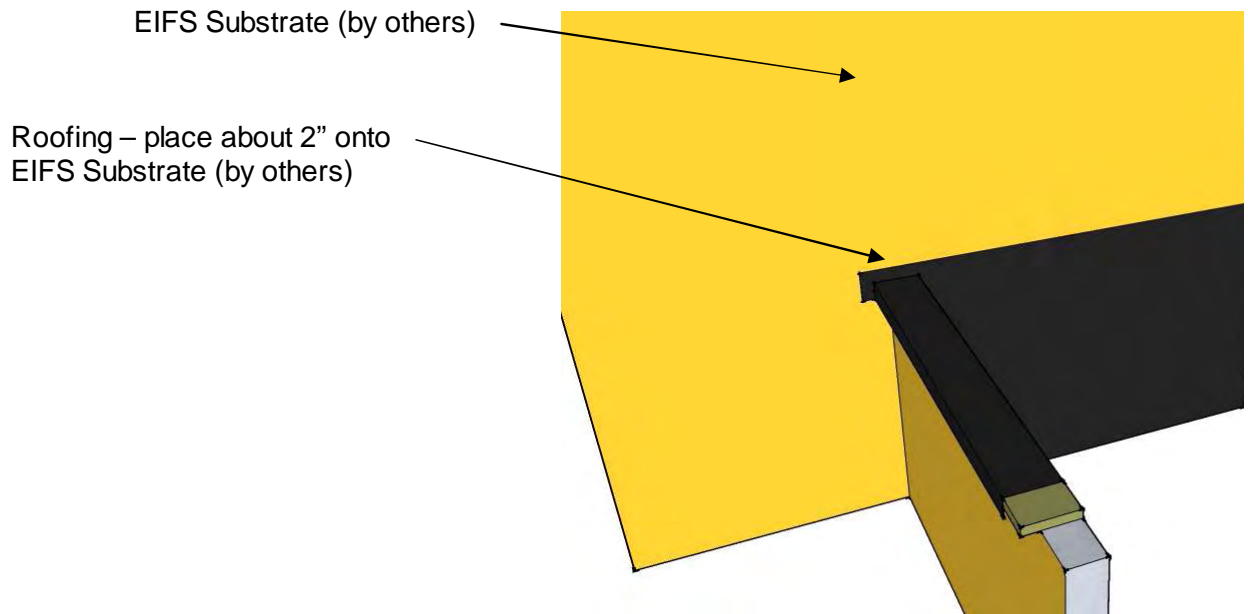


# Master Wall Systems

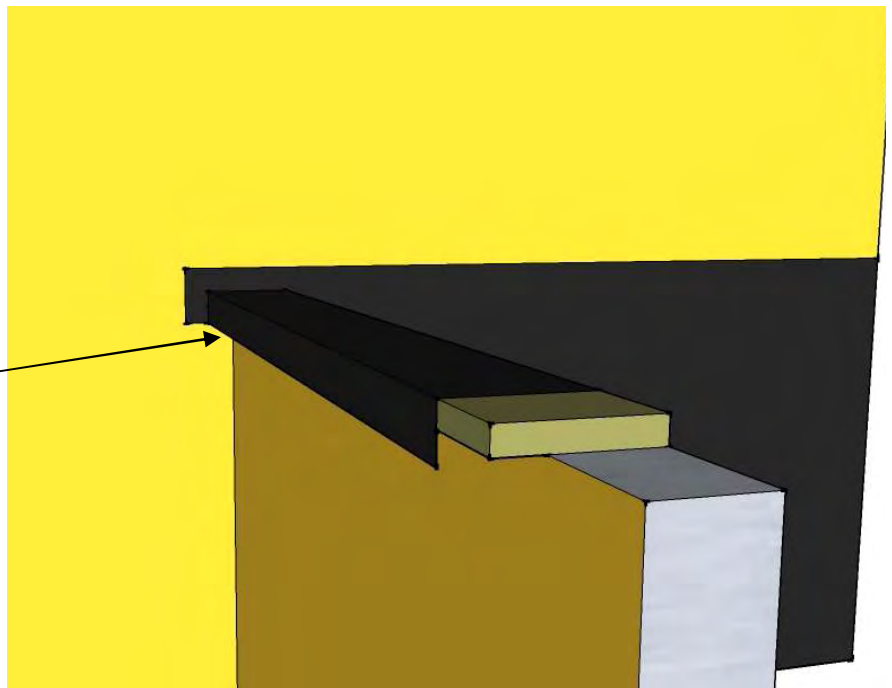
## Conceptual Details

Corporate • P.O. Box 397 • Fortson • Georgia • 31808 • 800-755-0825 • FAX 706-569-6704  
Technical • 800-760-2861 • FAX 734-433-0930

### Rollershield Drainage System



Flop roofing over nailer, temporary nail as necessary (by others)



### Roofing Details

These drawings relay the conceptual conditions of Master Wall Systems and are not the construction drawings. Ultimately the design and detailing of an entire wall system is the responsibility of a professional. These details will guide the design professional in the use of Master Wall Products. Master Wall disclaims design, warranty or construction intent or responsibility.

©2011 Master Wall Inc.

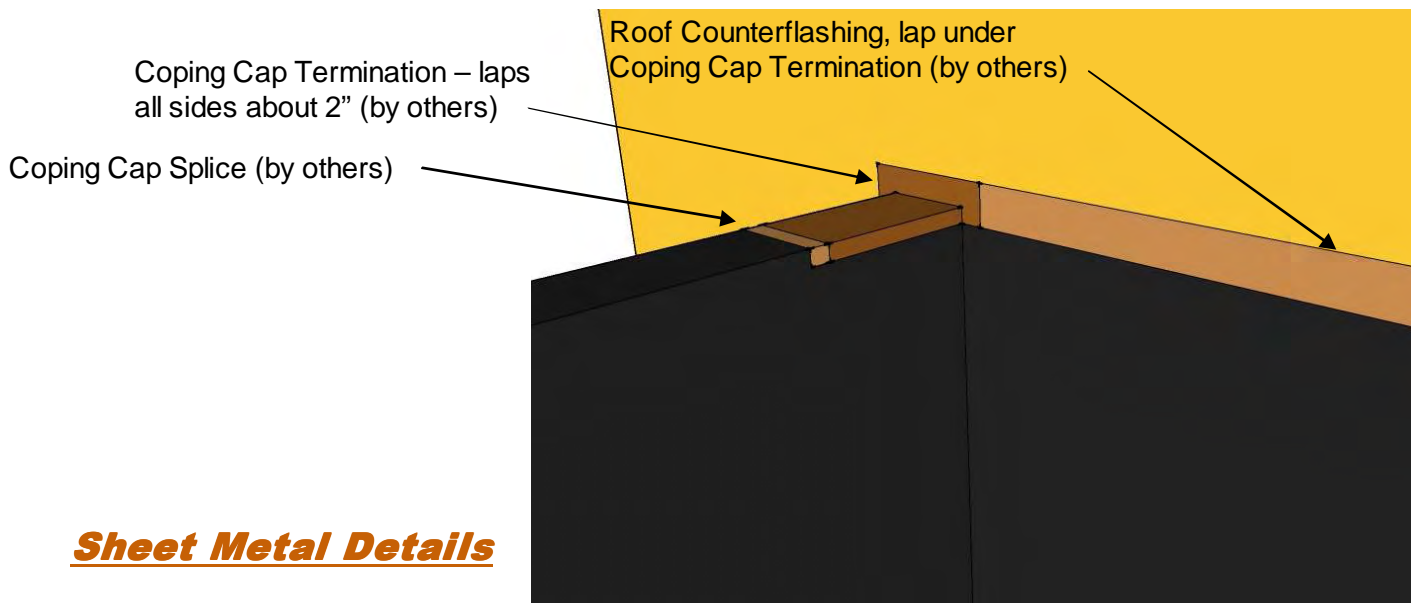
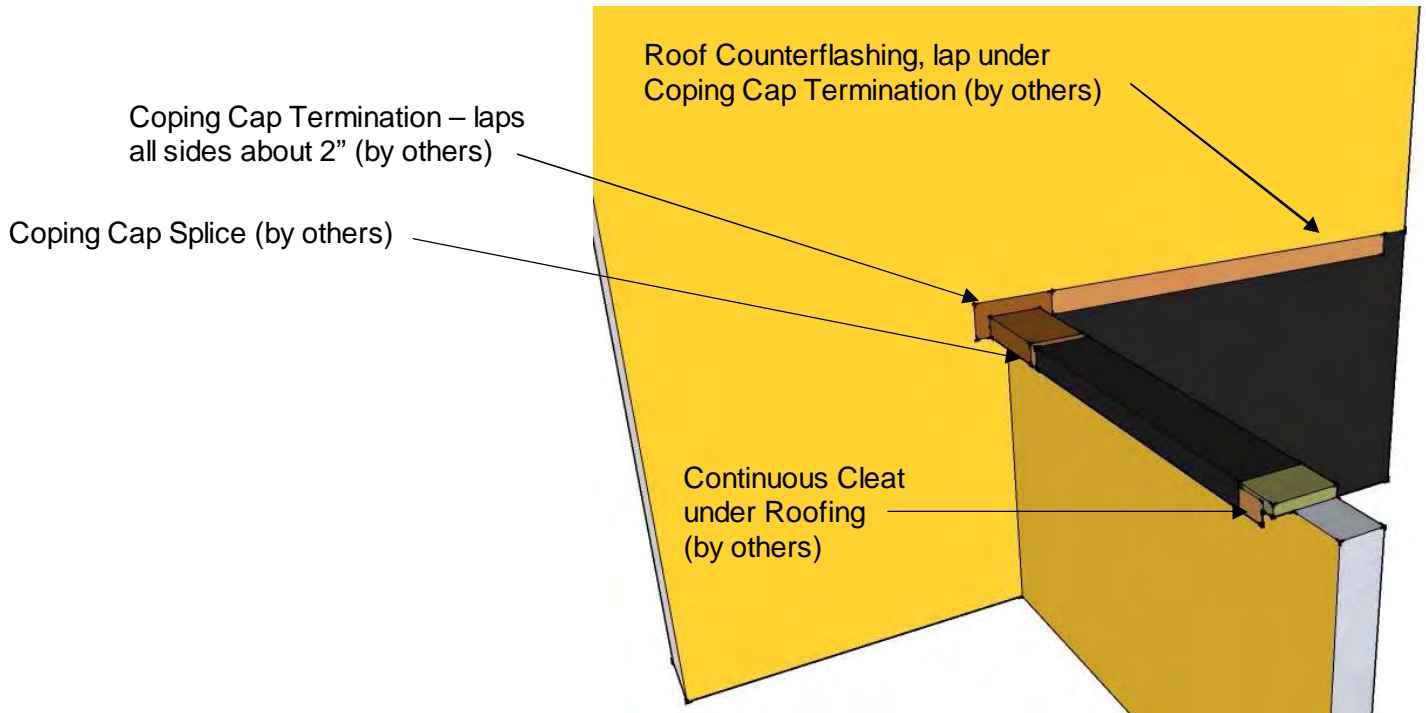


# Master Wall Systems

## Conceptual Details

Corporate • P.O. Box 397 • Fortson • Georgia • 31808 • 800-755-0825 • FAX 706-569-6704  
Technical • 800-760-2861 • FAX 734-433-0930

### Rollershield Drainage System



### Sheet Metal Details

These drawings relay the conceptual conditions of Master Wall Systems and are not the construction drawings. Ultimately the design and detailing of an entire wall system is the responsibility of a professional. These details will guide the design professional in the use of Master Wall Products. Master Wall disclaims design, warranty or construction intent or responsibility.

©2011 Master Wall Inc.

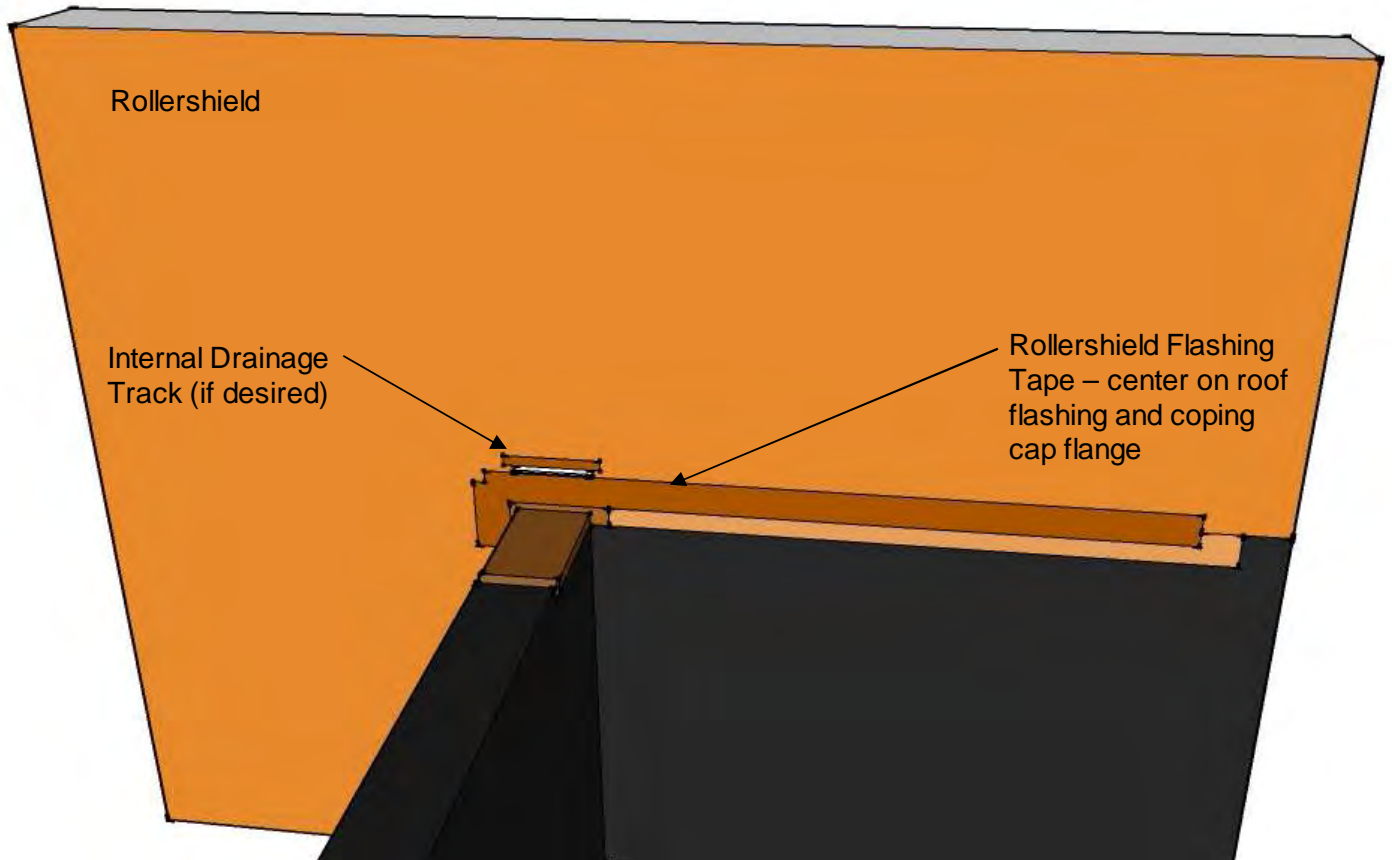


# Master Wall Systems

Conceptual Details

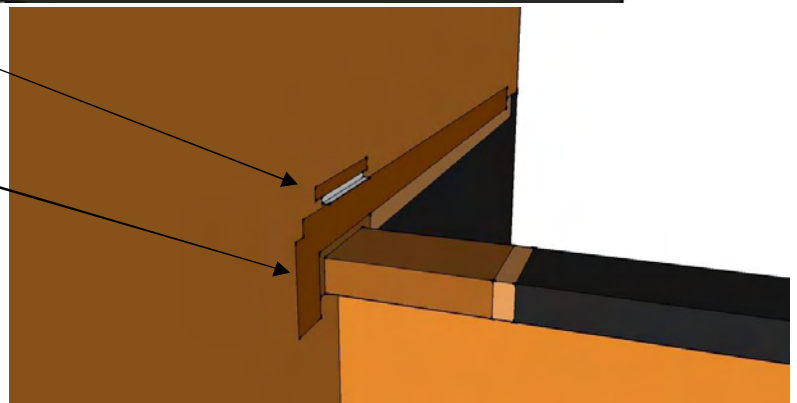
Corporate • P.O. Box 397 • Fortson • Georgia • 31808 • 800-755-0825 • FAX 706-569-6704  
Technical • 800-760-2861 • FAX 734-433-0930

## Rollershield Drainage System



Internal Drainage Track (if desired)

Rollershield Flashing Tape – center on roof flashing and coping cap flange



### Rollershield Details

These drawings relay the conceptual conditions of Master Wall Systems and are not the construction drawings. Ultimately the design and detailing of an entire wall system is the responsibility of a professional. These details will guide the design professional in the use of Master Wall Products. Master Wall disclaims design, warranty or construction intent or responsibility.

©2011 Master Wall Inc.

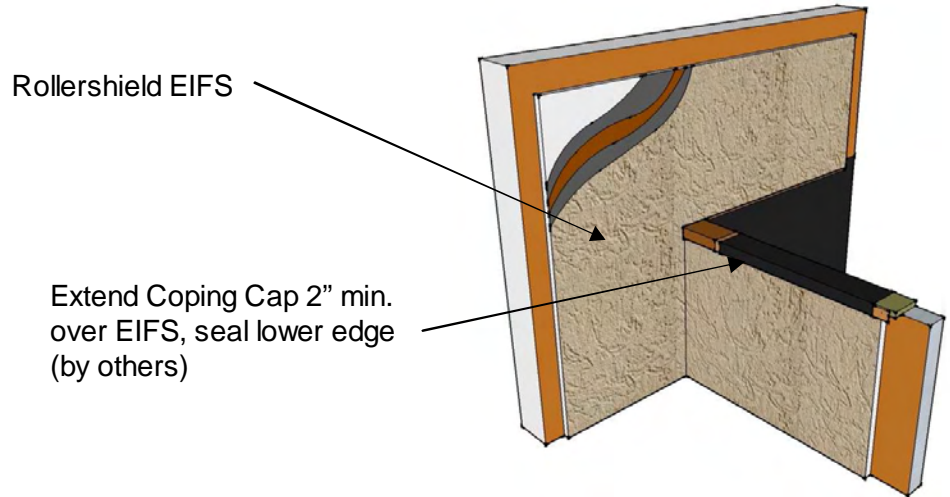


# Master Wall Systems

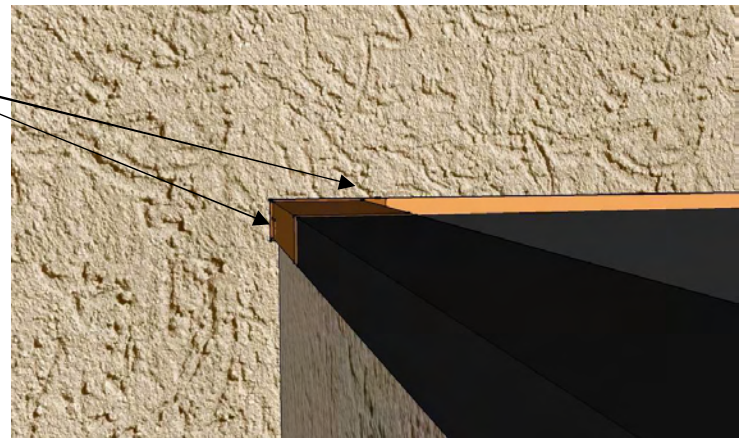
## Conceptual Details

Corporate • P.O. Box 397 • Fortson • Georgia • 31808 • 800-755-0825 • FAX 706-569-6704  
 Technical • 800-760-2861 • FAX 734-433-0930

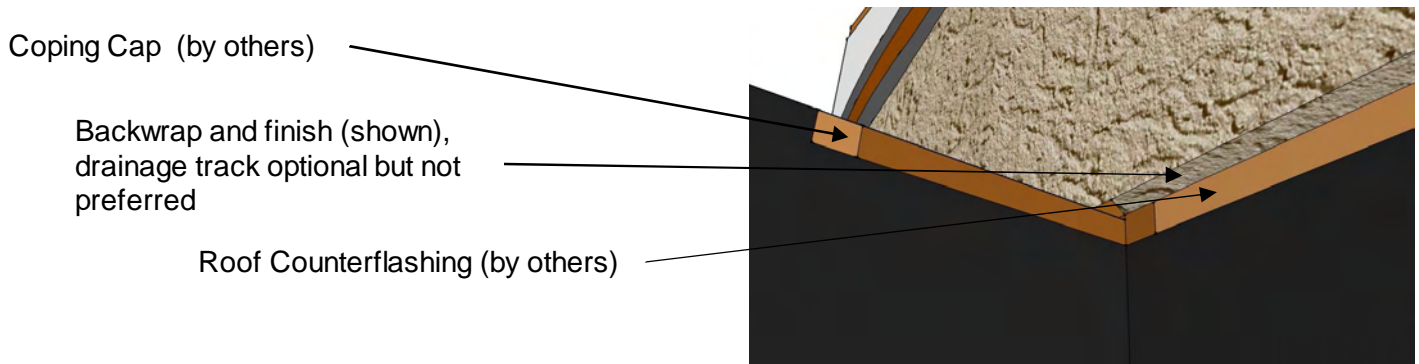
### Rollershield EIFS System



Leave  $\frac{3}{4}$ " sealant joint space at coping cap top and side



### Rollershield EIFS Details



These drawings relay the conceptual conditions of Master Wall Systems and are not the construction drawings. Ultimately the design and detailing of an entire wall system is the responsibility of a professional. These details will guide the design professional in the use of Master Wall Products. Master Wall disclaims design, warranty or construction intent or responsibility.  
 ©2011 Master Wall Inc.



# Master Wall Systems

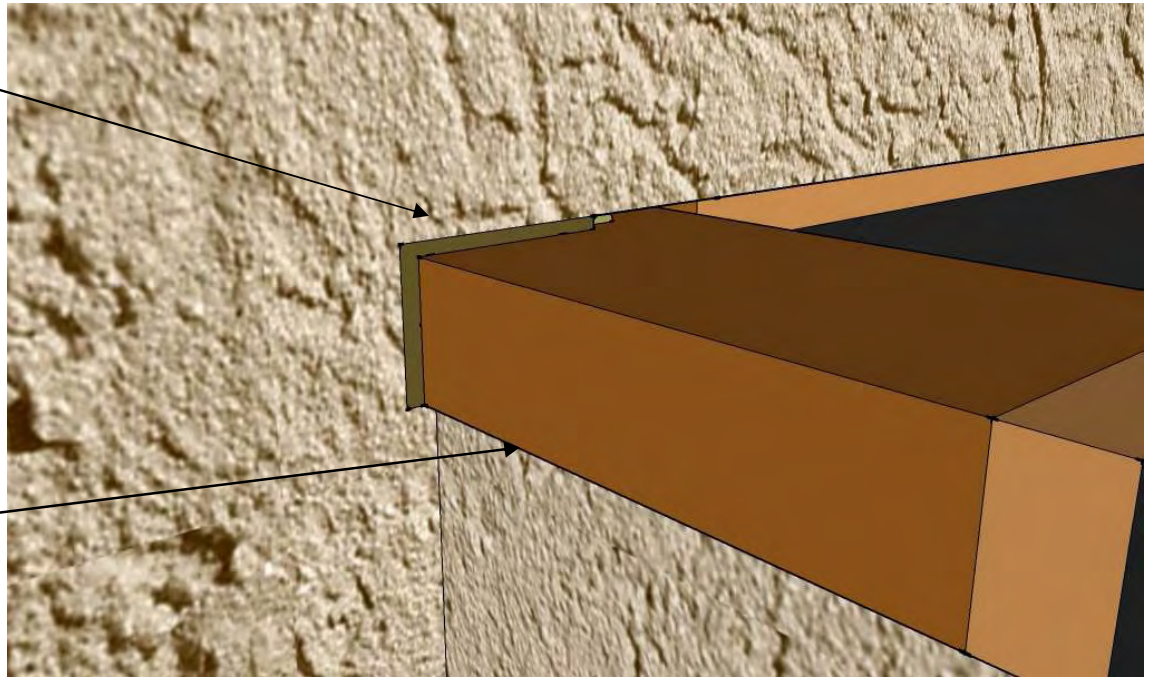
## Conceptual Details

Corporate • P.O. Box 397 • Fortson • Georgia • 31808 • 800-755-0825 • FAX 706-569-6704  
Technical • 800-760-2861 • FAX 734-433-0930

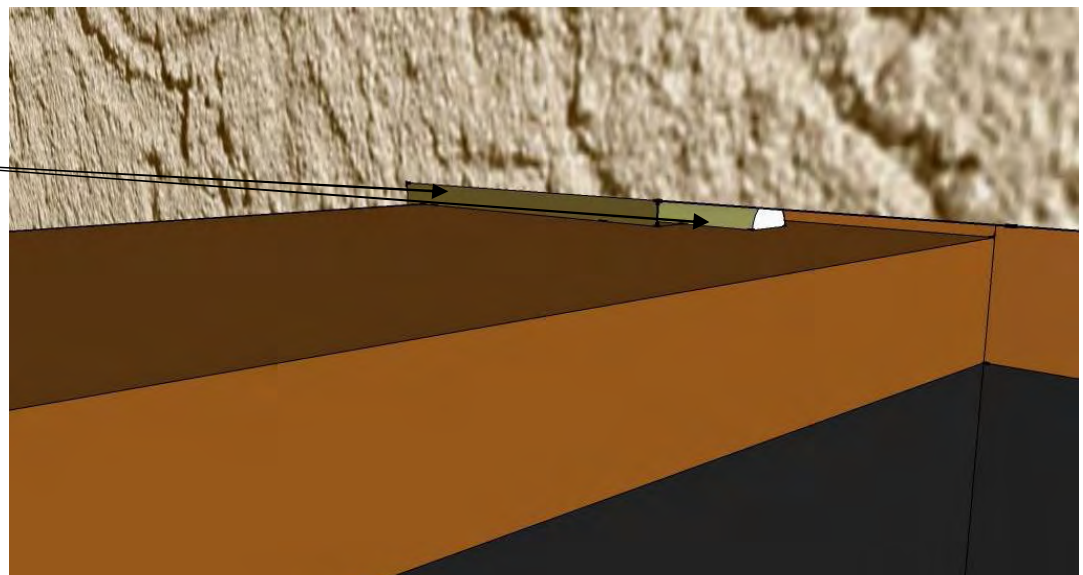
### Rollershield Drainage System

3/4" Sealant Joint  
(by others)

Sealant Joint under  
face of coping cap  
(by others)



3/4" sealant joint with  
backer rod (by  
others)



### Sealant Details

These drawings relay the conceptual conditions of Master Wall Systems and are not the construction drawings. Ultimately the design and detailing of an entire wall system is the responsibility of a professional. These details will guide the design professional in the use of Master Wall Products. Master Wall disclaims design, warranty or construction intent or responsibility.

©2011 Master Wall Inc.