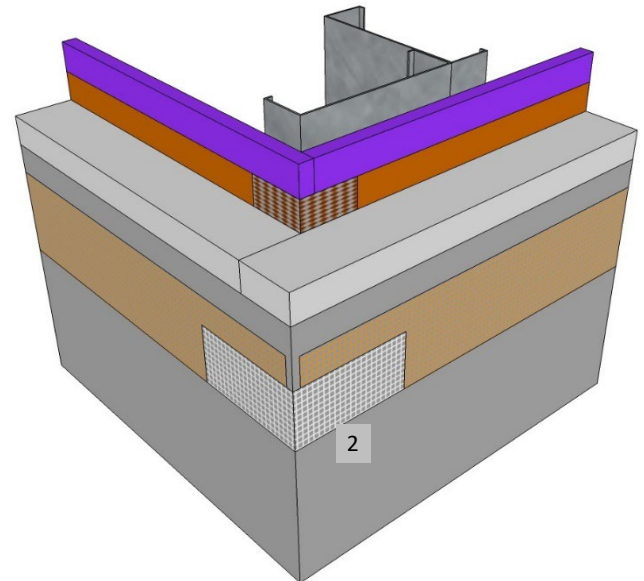
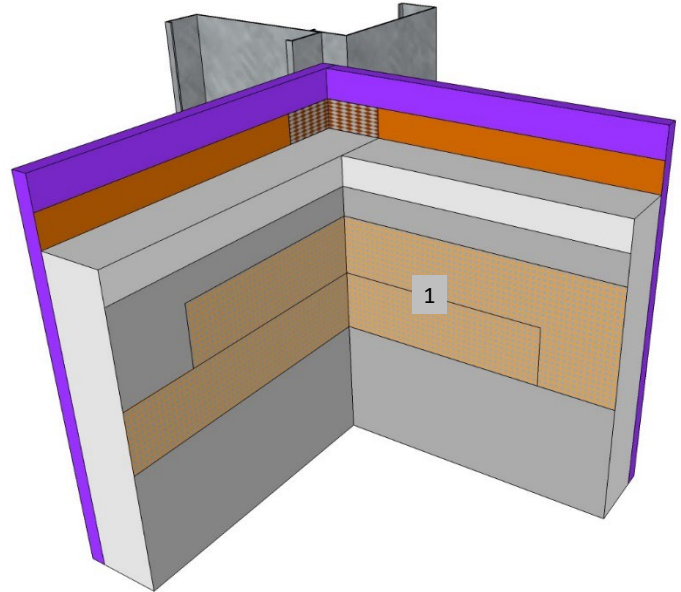
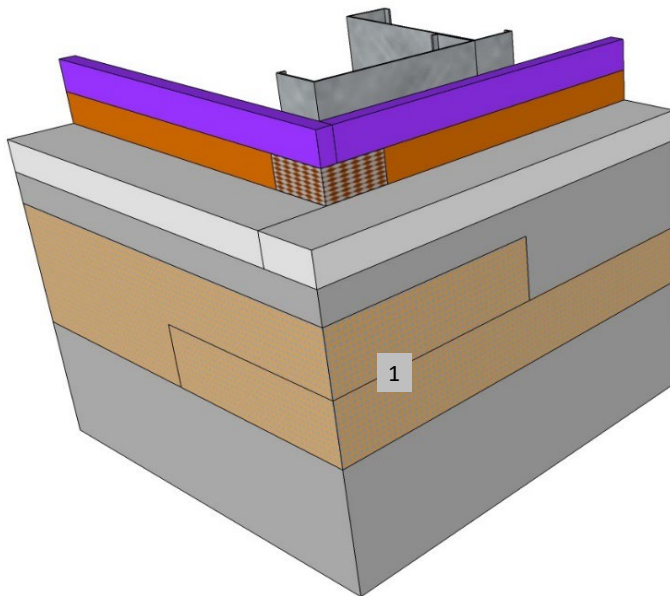




Master Wall Inc.
Building a Culture of Excellence

**ROLLERSHIELD
DRAINAGE CIFS®**

SYSTEM DETAIL



1. REINFORCING MESH SHALL BE CONTINUOUS THROUGH ALL INTERIOR AND EXTERIOR CORNERS EXTENDING BEYOND THE CORNER A MINIMUM OF 12" (304 MM) FROM BOTH DIRECTIONS CREATING A MINIMUM OF TWO LAYERS OF STANDARD REINFORCING MESH ON ALL INTERIOR AND EXTERIOR CORNERS
2. CORNER ROLL MESH OPTION

RDCIFS SD 038 CORNER MESH APPLICATION OPTIONS

M Master Wall Inc.
Building a Culture of Excellence

PO Box 397 · Fortson · GA · 31808 · 800-755-0825 · masterwall.com

These drawings relay the conceptual conditions of Master Wall® Systems and are not the construction drawings. Ultimately the design and detailing of an entire wall system is the responsibility of a professional. These details will guide the design professional in the use of Master Wall® Products. Master Wall disclaims design, warranty or construction intent or responsibility. **Bold or Brand Name = Master Wall® Product.** ©2024 Master Wall Inc.®